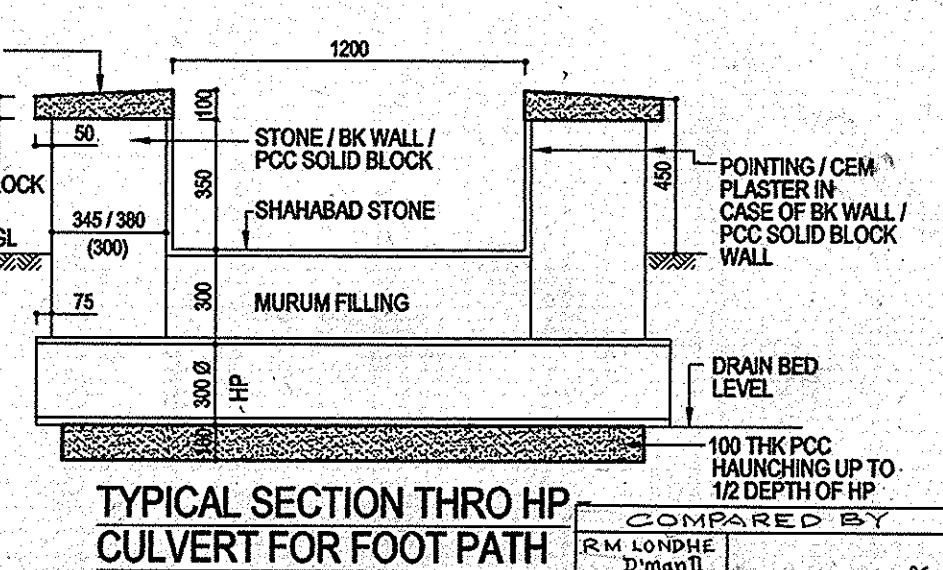
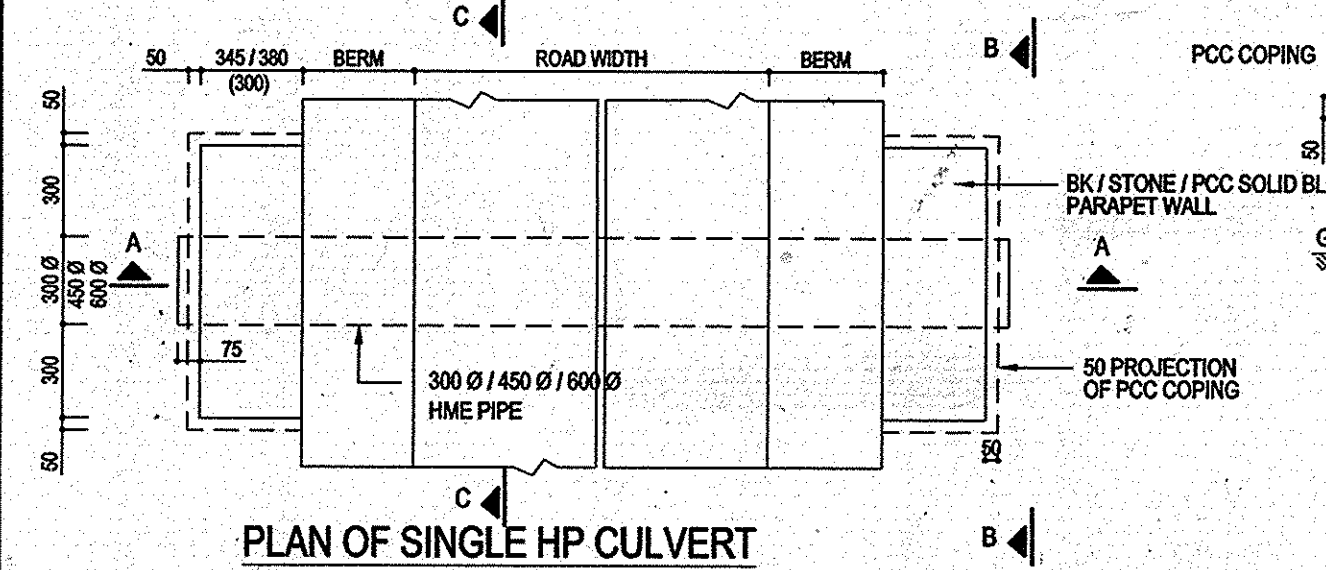
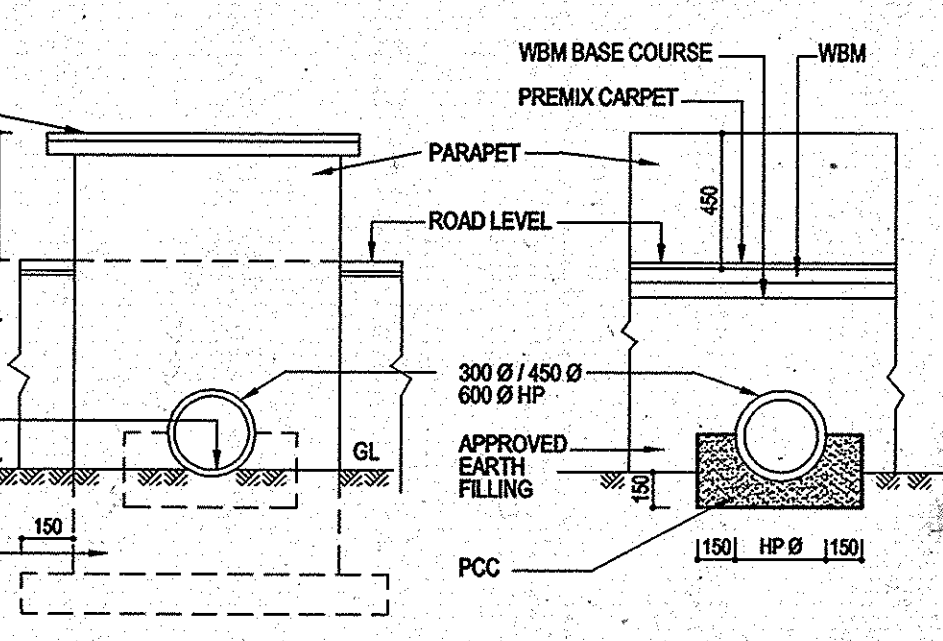
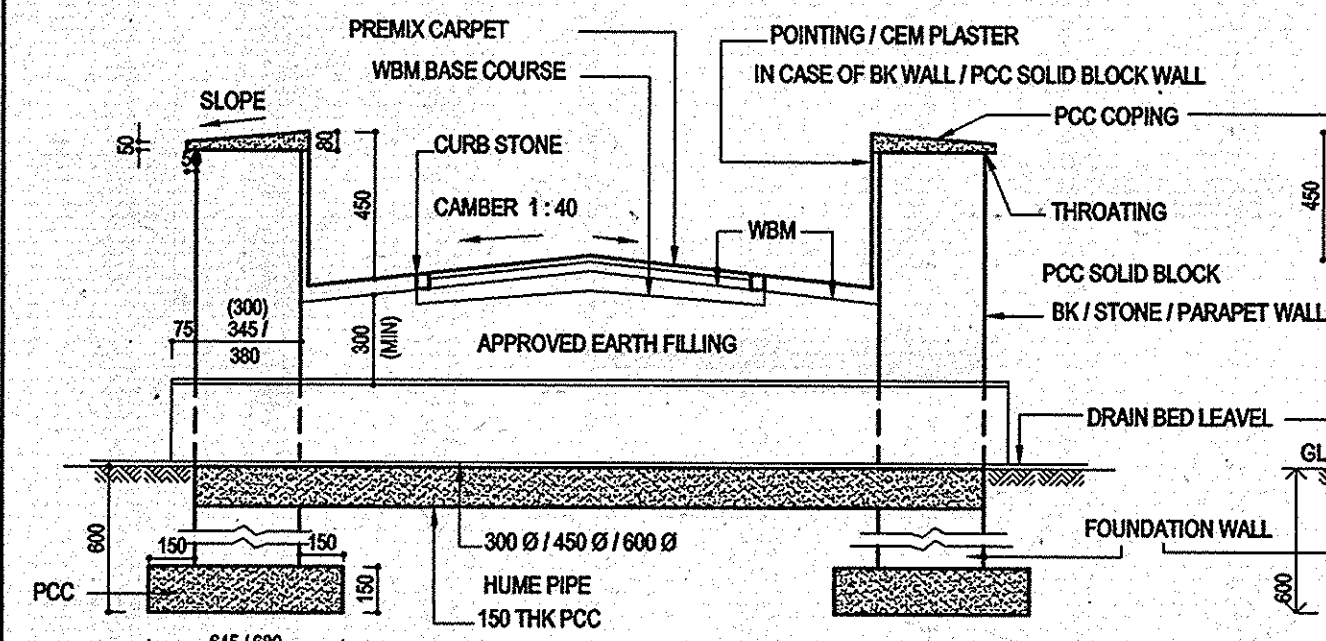
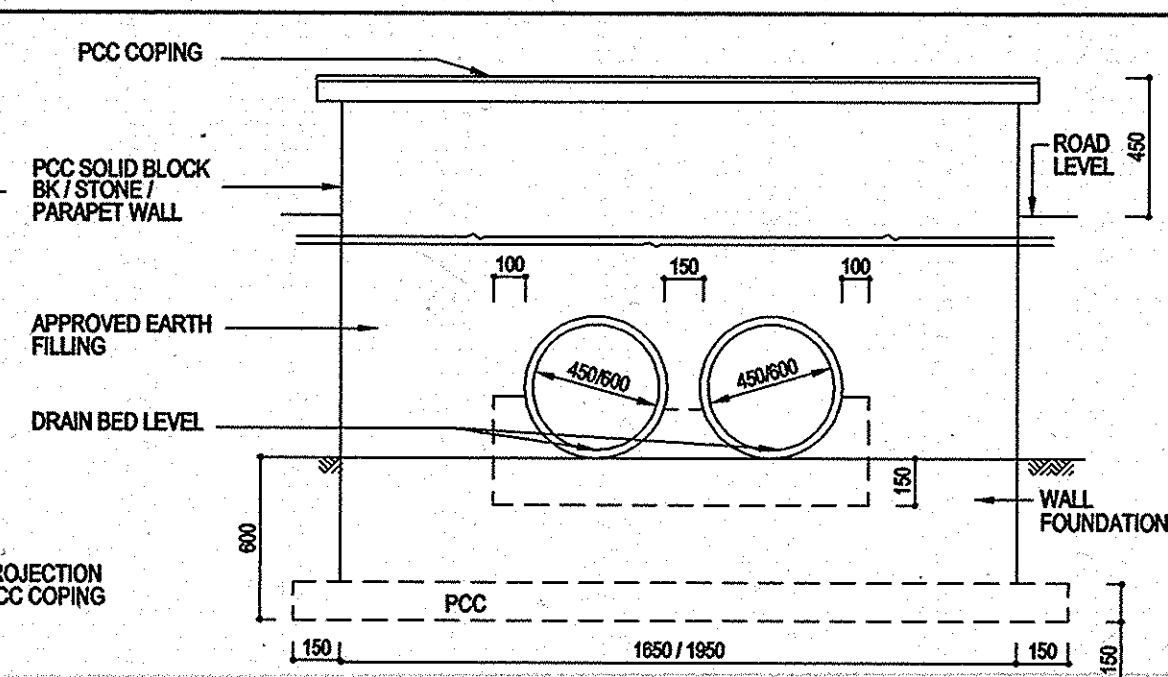
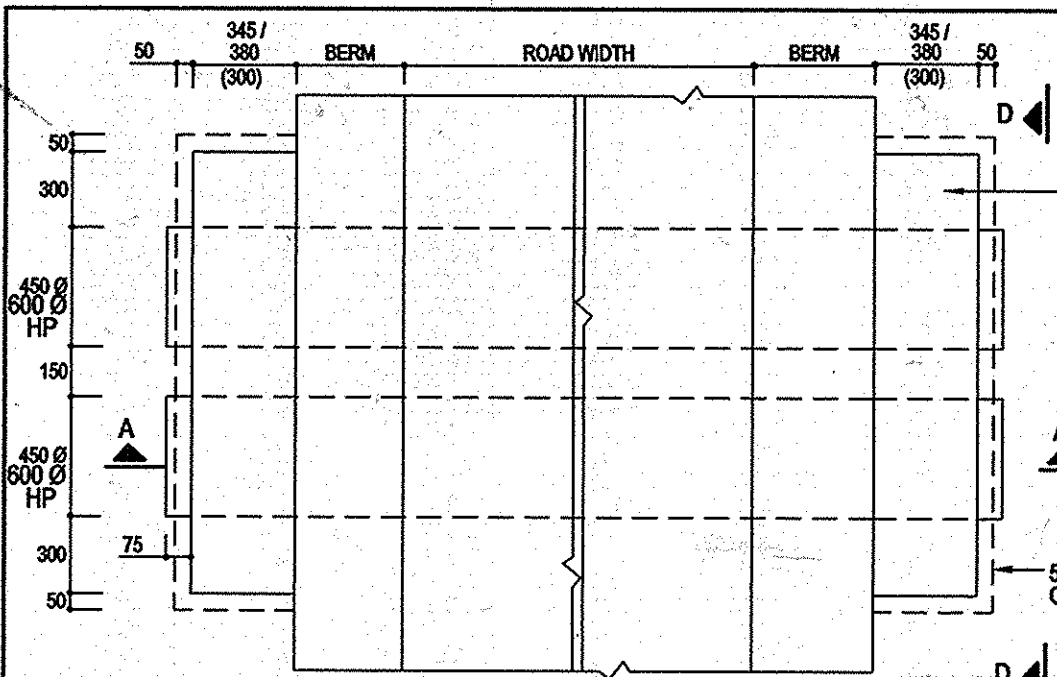


NOTES

1. CONTRACTOR TO CHECK & VERIFY ALL DIMENSIONS BEFORE EXECUTION OF THE WORK.
2. FIGURED DIMENSIONS SHALL BE FOLLOWED.
3. ALL DIMENSIONS ARE GIVEN IN MILLIMETRES UNLESS OTHERWISE STATED.
4. PCC HAUNCHING TO BE PROVIDED UP TO 1/2 DEPTH OF HUME PIPE.
5. PCC FOUNDATION FOR HUME PIPE CULVERT & SIDE WALLS SHALL BE LAID OVER 300 mm TH CONSOLIDATED MURUM WHEREVER BLACK COTTON SOIL IS NOTICED BELOW THE FOUNDATION OF HUME PIPE AND SIDE WALLS.
6. THIS DRG IS BASED ON DRG NO. 1: CEPZ/CEP2/88/TD/16M SHT NO - 1/1.  
2001/10/02



SL. NO.	DATE	DESCRIPTION	SIGN
NOTE: THIS DRAWING IS BASED ON CEPZ NO. 88/TD/5 SHT NO. 1/1			

TYPICAL DETAILS OF HUME PIPE CULVERTS

DRN :- USK	CHIEF ENGINEER PUNE ZONE PUNE	DATE 1-10-88
TCD :- Mrs M.S.G.		SCALE AS SHOWN
CHKD :- sd-xxx		
CD :-		

ASST. ARCHITECT	S.O. III (D)	S.O. I (PLG) FOR CEPZ PUNE.
DRG. NO. CEPZ/88/TD/16M		SHT. NO. 1/1

CEPZ/2001/TD/02